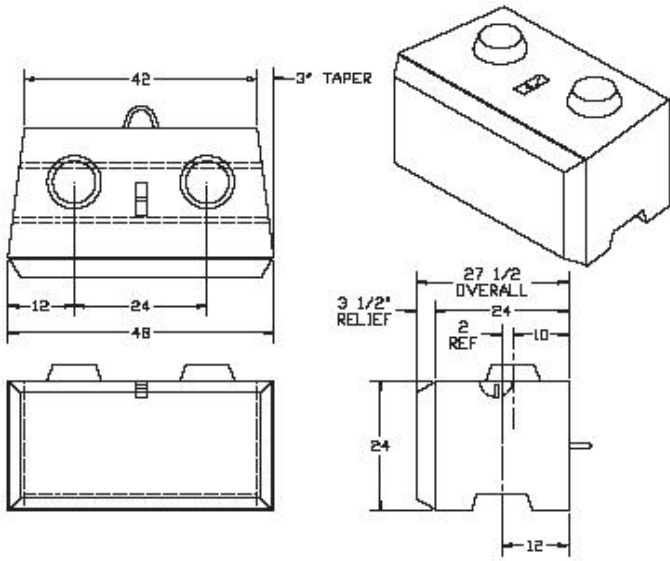


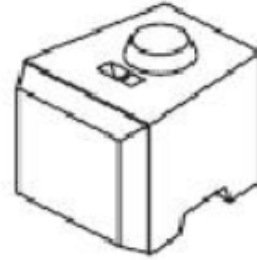
**Full Block** Weight 2250 LBS



**Half Block**

Weight 1200 LBS

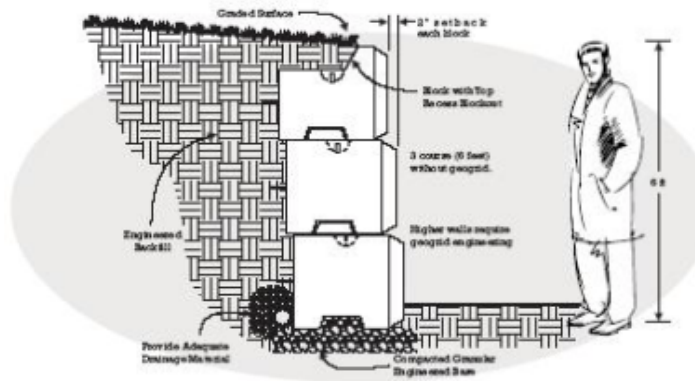
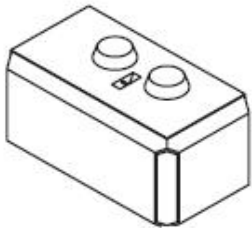
24 x 27.5 x 24



**Corner Block**

Weight 2850 LBS

24 X 24 x 52"



**TYPICAL WALL ELEVATION DETAIL**

Warning: no construction should be undertaken without professional engineering specifications for the site and dimensions of proposed work.