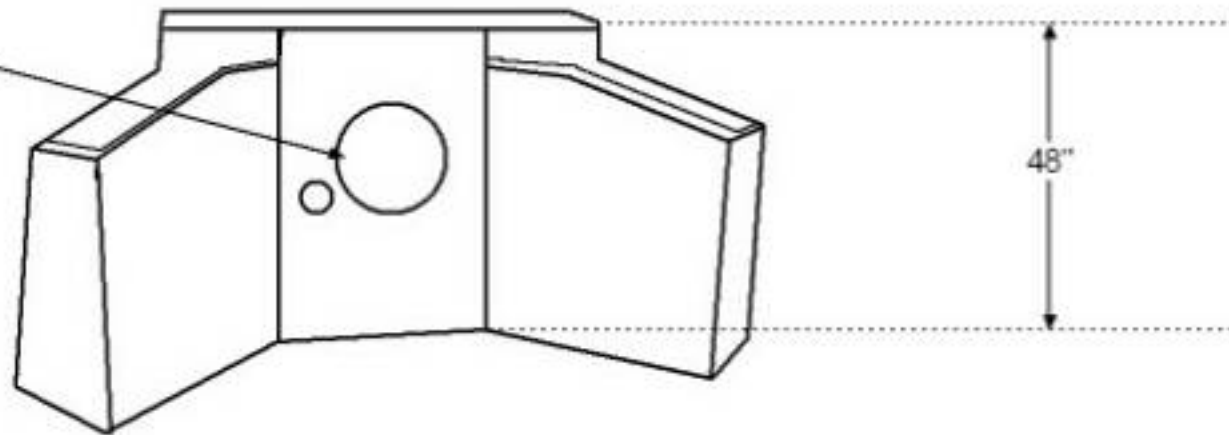


Custom opening to your spec.



LEGEND:

4000 # Concrete with Strux Fiber
Header weight 6000 Lbs.
4 Lift eyes rated at 2600 lbs. each

L.E. Weed & Son LLC
 187 South Main St.
 Newport, NH 03773

603 863 1540

Project Designer	
Project Contact	
Project #	WO#
Date	Rev. Date
06/08/07	